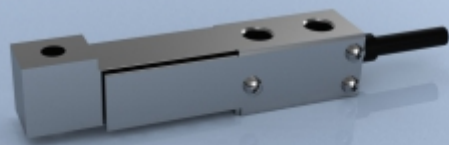




TYPE: BF2



BF2 Stainless Steel Low Range Dual Cantilever Beam Load Cell

Description

The LCM range of Pioden transducers has been widely used for many years. The BF2 is constructed from stainless steel and is available in ranges between 2kg and 50kg.

The BF2 offers an excellent size/performance ratio at a competitive price. The stainless steel dual cantilever design enables the rejection of off-centre forces, making it the first choice in a number of material testing and weighing applications.

LCM Systems can supply the BF2 on its own or integrated with any of our range of strain gauge based instrumentation.

Features

- Ranges from 2kgf to 50kgf
- Small physical size
- 1000ohm bridge resistance
- Stainless steel construction
- Sealed to IP65

Specification

Rated load (kgf)	2, 5, 10, 30, 50
Maximum overload range	200% with $<\pm 1\%$ calibration shift
Output sensitivity	2mV/V nominally
Zero offset	$<\pm 2\%$ of full scale output (FSO)
Accuracy	$<\pm 0.1\%$ of FSO
Repeatability	$<\pm 0.1\%$ of FSO
Excitation voltage	10vdc recommended, 15vdc maximum
Bridge resistance	1000 Ω standard
Insulation resistance	$> 1000M\Omega$ @ 250vdc
Operating temperature range	-20 to +70°C
Compensated temperature range	-10 to +60°C
Zero temperature coefficient	$<\pm 0.03\%$ of FSO/°C ($<\pm 0.01\%$ FSO/°C optional)
Span temperature coefficient	$<\pm 0.03\%$ of FSO/°C ($<\pm 0.01\%$ FSO/°C optional)
Environmental protection level	IP65
Connection type	2 metres 4 core screened PVC cable
Wiring connections	+ve supply: Red -ve supply: Blue +ve signal: Green -ve signal: Yellow

Typical Applications

- Material test machines
- Rheometer measurement
- Spring characteristic profiling
- Friction testing switch contact

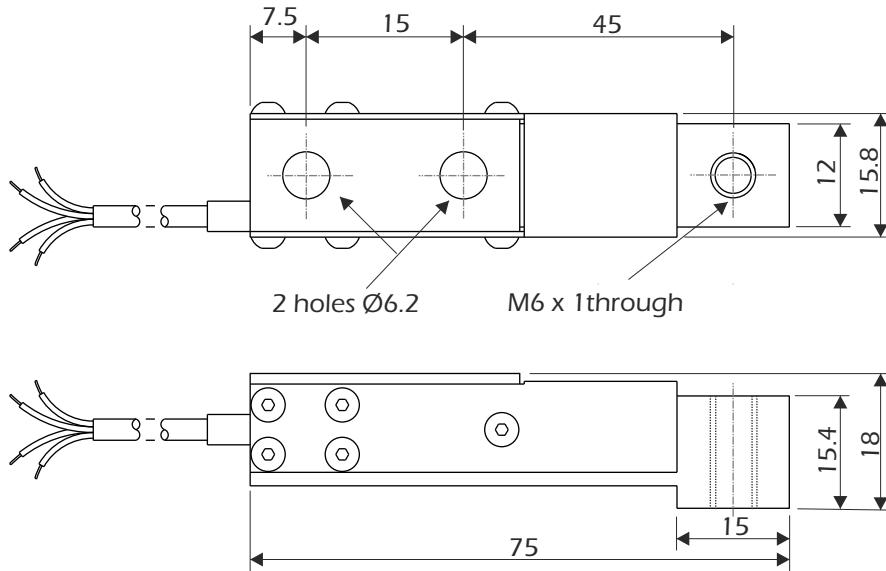
Available Options

- Special ranges and capacities
- Special electrical connections
- Can be manufactured to specific dimensions
- TEDS option (when used with TR150 handheld display)
- Other special versions available

TYPE: BF2

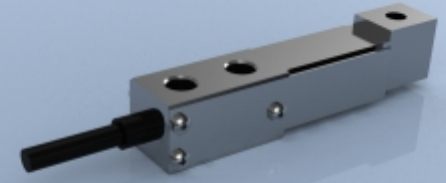
BF2 Stainless Steel Low Range Dual Cantilever Beam Load Cell

Dimensions



All dimensions are in mm

Rating (kgf)	Part Number	Weight (g)	Resolution (kgf)
2	BF20K002	80	0.002
5	BF20K005	80	0.005
10	BF20K010	80	0.01
30	BF20K030	80	0.02
50	BF20K050	80	0.05



www.lcmsystems.com

LCM Systems Ltd

Unit 15, Newport Business Park, Barry Way
Newport, Isle of Wight PO30 5GY UK

Tel: +44 (0)1983 249264

sales@lcmsystems.com

www.lcmsystems.com

Due to continual product development, LCM Systems Ltd reserves the right to alter product specifications without prior notice.

Issue No. 2

Issue date: 02/11/2015

APPROVED

(unapproved if printed)