

# Operators Instructions for

# RILL



## General Description

The RILL is an advanced microprocessor controlled portable force measuring device.

It features a robust weatherproof construction, easy-to-read display and no external antennas.

The devices are delivered ready to use, complete with batteries and certificate of calibration.

These devices have a normal range of 100 metres.

## Getting Started

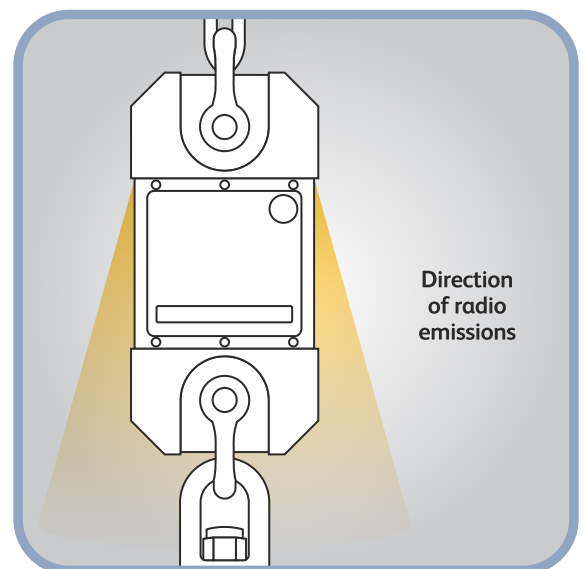
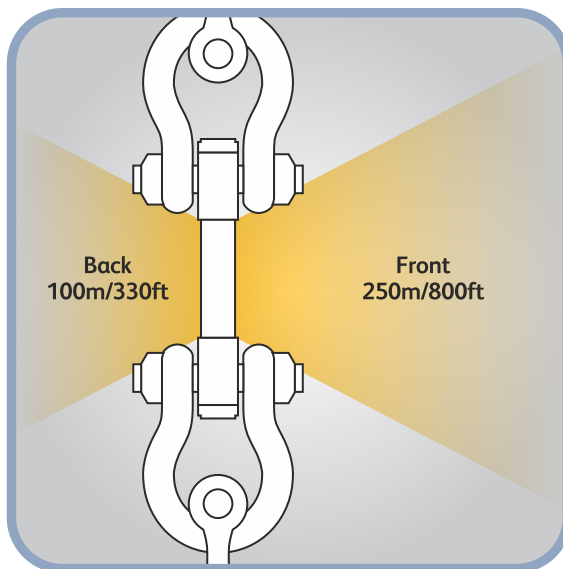
These devices are simple to use and will give long trouble free service if used as intended.

Before attempting to use the device ensure that the capacity of the load cell is suitable for the task being undertaken.


The safe working load is shown on the front of each device. e.g. MAX. 5t x 0.001t has a maximum working load of 5 metric tonnes or 5000kg.

The unique address of the RILL is detailed on the inside of the load cell battery pocket, for instance 0003F5.


Please ensure that the RILL is positioned correctly in relationship to where the operator is standing.




## Measuring A Load

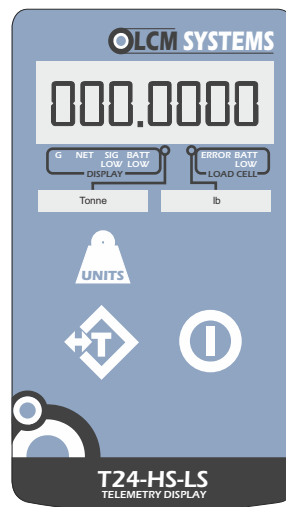
To switch on press and hold the  key until BUSY is displayed. The display will read BUSY as it wakes up the RILL (this can take up to 12 seconds). When the RILL is awake apply the load SLOWLY and watch the display on the device to ensure that the load applied is not greater than you had estimated.

Avoid shock loads. Do not apply large twisting forces to these devices, as it may damage them beyond repair.

To tare off the display press the  key to enter net mode, re-press to switch back to gross mode.

When finished measuring turn off the device by pressing and holding the  key for five seconds.

Remove the device from the test site, clean and store, ideally in the supplied carry case. If the device is to be stored for long periods of time please remove the load cell and handheld display batteries.



This key has two functions:

- 1) Pressing this button until BUSY is displayed turns the handheld display on and off.
- 2) A quick press when switched on will reset the auto off counter

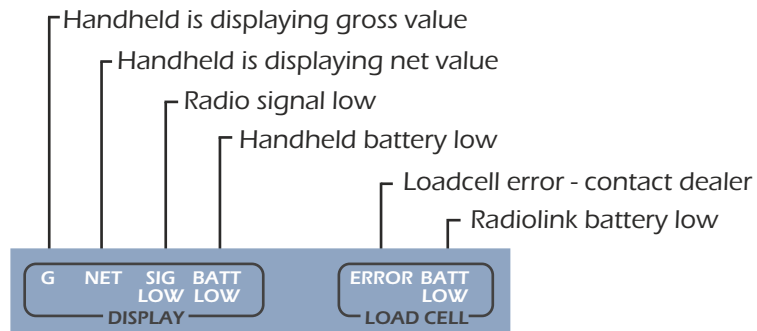


Pressing this key will zero the reading and display a net value. Press again to revert to gross mode. The display will point at 'G' or 'N' to show you which mode.



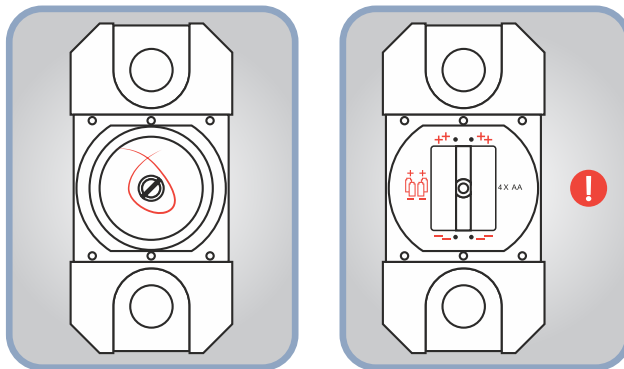
Pressing this key allows you to switch units from tonnes to lbs and vice versa.

## Annunciators



## Battery Care

When the load cell batteries are getting low (1-2 hrs remaining) the “BATT LOW” annunciator will display. Remove the back cover of the RILL using a flatblade screwdriver. Fit batteries and refit cover.

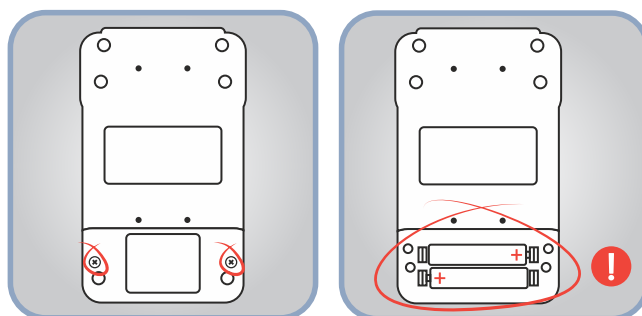


**Warning:** Make sure batteries are fitted correctly and that polarity is correct, or damage to the RILL electronics will occur.

**Note:** The load link will not function correctly with NI-CAD rechargeables.

## Handheld Battery Care

When the handheld batteries are getting low (1-2 hours remaining) the “BATT LOW” annunciator will display. To change the batteries remove the two screws holding the battery cover on the rear of the device. Replace batteries and refit cover, ensuring the seals are in tact.



**Note:** The load link will not function correctly with NI-CAD rechargeables.

## Care and Faults

---

While these devices are sealed to IP65 standards they should not be immersed in water.

The effects of solvent on the device can not be guaranteed, and so should be avoided.

Avoid use within 20-30 minutes of rapid changes in temperature - for example, moving the device from a cold vehicle into a warm room. The change in temperature can affect the accuracy of the device. The operating temperature is -10 to +50 degrees centigrade.

Should the display show "overload" remove the load immediately AS THIS INDICATES AN OVERLOAD SITUATION. Check the load applied is within the safe working load of the device, if it continues to display overload contact your supplier.

## Approvals

---

Complies with EMC directive. 2004/108/EC

The Radio Equipment and Telecommunications Terminal Equipment (R&TTE) Directive, 1999/5/EC, European Community, Switzerland, Norway, Iceland, and Liechtenstein

**English:**

This equipment is in compliance with the essential requirements and other relevant provision of Directive 1999/5/EC.

**Deutsch:**

Dieses Gerät entspricht den grundlegenden Anforderungen und den weiteren entsprechenden Vorgaben der Richtlinie 1999/5/EU.

**Dansk:**

Dette udstyr er i overensstemmelse med de væsentlige krav og andre relevante bestemmelser i Direktiv 1999/5/EF.

**Español:**

Este equipo cumple con los requisitos esenciales así como con otras disposiciones de la Directiva 1999/5/EC.

**Français:**

Cet appareil est conforme aux exigences essentielles et aux autres dispositions pertinentes de la Directive 1999/5/EC.

**Íslenska:**

Þessi búnaður samrýmist lögboðnum kröfum og öðrum ákvæðum tilskipunar 1999/5/ESB.

**Italiano:**

Questo apparato é conforme ai requisiti essenziali ed agli altri principi sanciti dalla Direttiva 1999/5/EC.

**Nederlands:**

Deze apparatuur voldoet aan de belangrijkste eisen en andere voorzieningen van richtlijn 1999/5/EC.

**Norsk:**

Dette utstyret er i samsvar med de grunnleggende krav og andre relevante bestemmelser i EU-direktiv 1999/5/EC.

**Português:**

Este equipamento satisfaz os requisitos essenciais e outras provisões da Directiva 1999/5/EC.

**Suomalainen:**

Tämä laite täyttää direktiivin 1999/5/EY oleelliset vaatimukset ja on siinä asetettujen muidenkin ehtojen mukainen.

**Svenska:**

Denna utrustning är i överensstämmelse med de väsentliga kraven och andra relevanta bestämmelser i Direktiv 1999/5/EC.

This equipment is in compliance with the essential requirements and other relevant provisions of Directive 1999/5/EC.

## FCC Approval

---

Models: i and e for internal and external variants.

For antenna T24-ANTA and T24-ANTB FCC ID: VHARAD24

This device complies with part 15c of the FCC rules.

Operation is subject to the following two conditions:

1. this device may not cause harmful interference
2. This device must accept any interference received, including interference that may cause undesired operation.

CAUTION: If the device is changed or modified without permission from the manufacturer, the user may void his or her authority to operate this equipment.

## Industry Canada

---

Models: i and e for internal and external variants.

For antenna T24-ANTA and T24-ANTB IC:7224A-RAD24

This apparatus complies with RSS-210 Low power license-exempt radio communication devices (all frequency bands): Category I Equipment RSS