



TYPE: T24-SO



T24-SO Telemetry Serial Output Module

Description

The T24-SO creates a serial output ASCII string which can include data from up to 8 T24 acquisition devices and optionally summate them. The output is suitable for connecting to a printer, serial display or for feeding directly into a PC or PLC. The actual ASCII output can be designed by the user which can include free text or tokens to represent real data. i.e. <V1> would be decoded as the value from input module 1 when the output is triggered.

The serial output can consist of a single line of data suitable for feeding into an LED display module, or can have a more complex multi-line result which can contain a mixture of fixed and variable data suitable for printed tickets, receipts etc. The serial output is fixed at 8 data bits, 1 stop bit and no parity. RS232 and RS485 are supported.

Receivers support common industrial power supplies and are available in robust IP rated enclosures with internal antennas optimised to give outstanding coverage.

The output of the T24-SO can be triggered by the reception of user specified data (i.e. data is only outputted when data is received from a specific acquisition module or when triggered from a handheld device.

The T24 Toolkit software offers a fast and simple way to configure the report format and to choose the associated transmitter modules. The reports could be just a single line giving a value to be fed into a serial display, for example, or could be a multi-line report for delivery to a printer.

The licence free 2.4 GHz direct sequence spread spectrum (DSSS) radio technology offers high integrity, error free communications which can co-exist with other wireless technologies such as Wi-Fi, Bluetooth® and Zigbee®. FCC, ETSI and IC approvals.

LCM Systems can supply the T-24 products integrated into various sensors to form a wireless load cell system. There are several standard products which utilise the T24 range, including the TELSHACK, WLLe and RILL ranges. Please contact LCM's technical department to discuss your wireless load cell requirements.

Specification

Power supply voltage	9 to 32 V dc
Supply current at 12V (typical)	100mA
Radio type	Licence exempt transceiver
Radio frequency	2.4 GHz
Transmit power	10mW
Range	Up to 800m (2,600ft)
Operating temperature range	-20 to +55 °C
Storage temperature	-40 to +85 °C
Maximum humidity	95% non condensing
Cable size	Ø4 to 8mm
IP rating	IP67/Nema4

* Maximum range achieved in open field site with T24-SO at a height of 3 metres above ground and T24-HR held at chest height pointing towards the T24-SO

Features

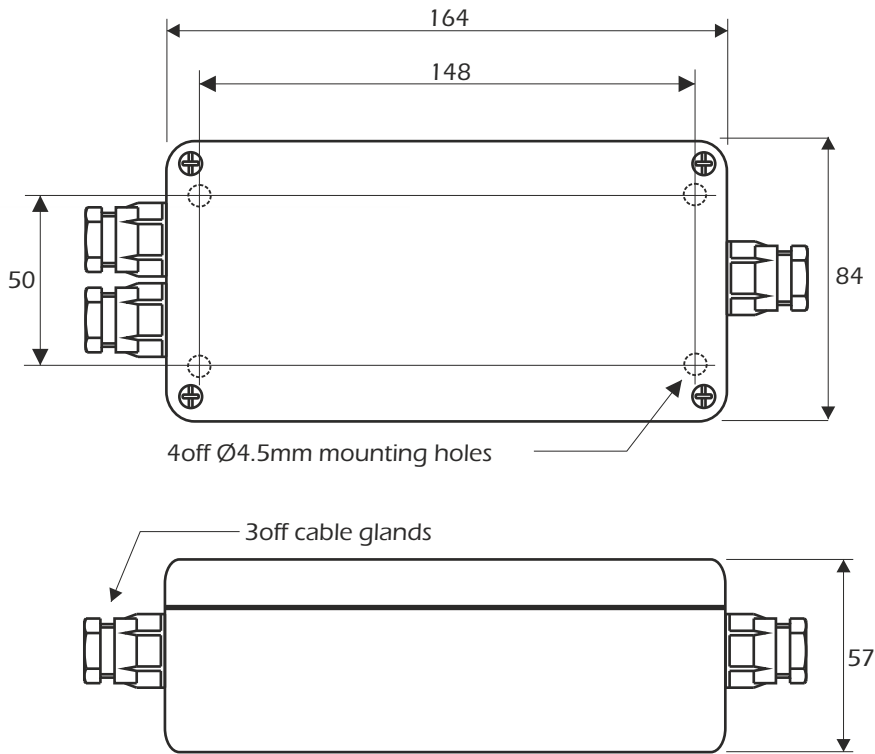
- User definable serial ASCII output
- 2 way radio system for data integrity
- Wide operating voltage range
- Up to 800m (2,600ft) wireless range
- Worldwide licence exempt 2.4GHz radio
- Gather data from up to 8 remote acquisition devices
- Simple configuration via PC using a base station and telemetry toolkit software
- Environmentally sealed to IP67

Typical Applications

- Wireless load shackles/load links
- Platform weighing
- Vehicle weighing
- Balancing systems
- Rotating machine force measurement
- Simple centre of gravity

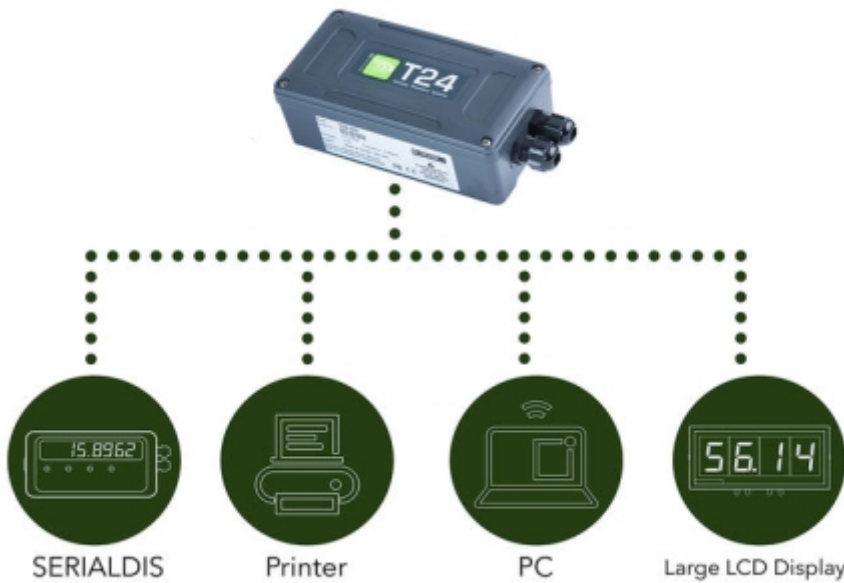
T24-SO Telemetry Serial Output Module

Dimensions



All dimensions are in mm

Typical Configuration



www.lcmsystems.com

LCM Systems Ltd

Unit 15, Newport Business Park, Barry Way
Newport, Isle of Wight PO30 5GY UK

Tel: +44 (0)1983 249264

sales@lcmsystems.com

www.lcmsystems.com

Due to continual product development, LCM Systems Ltd reserves the right to alter product specifications without prior notice.

CE Complies with EMC directive. 2004/108/EC

FC The Radio Equipment and Telecommunications Terminal Equipment (R&TTE) Directive, 1999/5/EC. Family: RAD24

Industry Canada Industrie Canada IC:7224A-RAD24

Issue No. 1

Issue date: 28/02/2019

APPROVED

(unapproved if printed)